

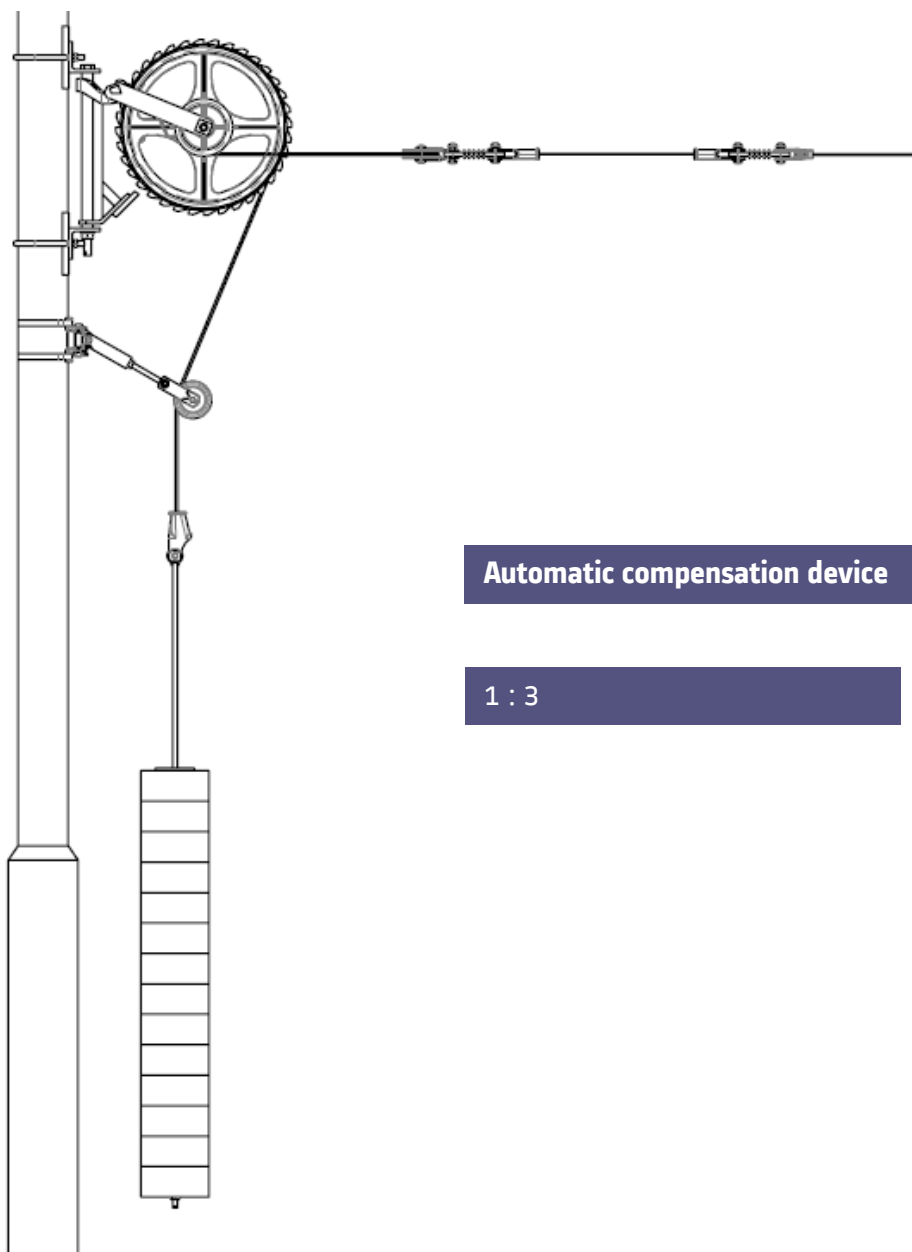


**CARIBONI SINGLE PULLEY
TENSION DEVICE**

ALSTOM

SINGLE PULLEY TENSION DEVICE

- Complete adjustment system with tensioning device with single pulley

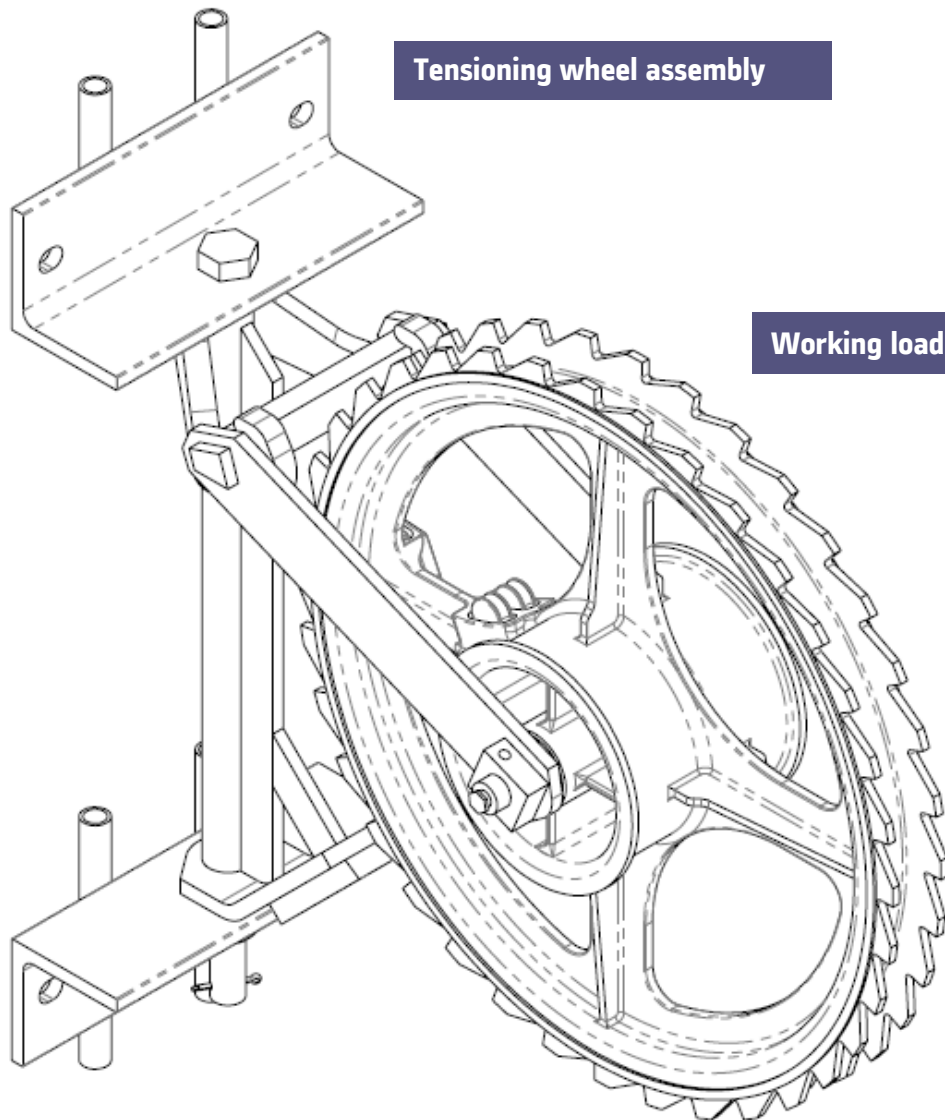


Automatic compensation device

1 : 3

SINGLE PULLEY TENSION DEVICE

TENSION DEVICE



Tensioning wheel assembly

Working load: 24kN

Aluminium alloy wheel

Cariboni is a well-established European company, leader in the design, development and production of materials for railways and light rail. This entity was founded in 1908 and joined the Alstom Group in 2008.

It has an extensive global experience in designing, manufacturing and installing a wide range of catenary products and components, using historic knowledge acquired in Europe and leveraging of global innovation capability and experience.

The company benefits from certifications by AFNOR: ISO 9001, ISO 14001 and OHSAS 18001, regarding the design and manufacturing of bus bars, accessories for LV-MV-HV electrical lines, components and systems for electrification, traction, and low-voltage protection and control

For more information
please contact Alstom Transport:

Oswaldo Cariboni Lecco SpA
Via Roma, 14
23855 Pescate (LC)
Italy

Phone: +39 03 41 35 87 11
Visit us online: www.alstom.com

ALSTOM